



“Quality

is never an accident; it is always the result of high intention, sincere effort, intelligent direction and skillful execution; it represents the wise choice of many alternatives.”

– William A. Foster



sierraoutdoordesigns.com

Sierra Outdoor Designs

INDEX



“Good design is making something intelligible and memorable. Great design is making something memorable and meaningful.”

– Dieter Rams

Excellence in Design the making of discerning cabinetry	03
Options	05
Diversity in Modularity cabinetry line	07
Base Cabinets	08
Corner Cabinets	09
Grill Cabinets	10
Bar Cabinets	11
Sink Cabinet	12
Sink Bar Cabinet	13
Refrigerator Cabinet	14
Refrigerator Bar Cabinet	15
Waste Receptacle Cabinet	16
Toe Kick	17
Drawer Cabinet	18
Possibilities are Endless pre-designed combinations	21
The Catskills	22
The Pocono	23
The Appalachian	24
The Allegheny	25
The Denali	26
The Blue Ridge	27
Appliances	28
Product Line	30
About Cardinal Systems, Inc.	35



Excellence in Design

THE MAKING OF DISCERNING CABINETRY



Sierra Outdoor Designs from Cardinal Systems, Inc. changes the playing field of outdoor living options with a sleek design that invites you and your family to expand your living quarters into the outdoors. Designers have created a streamlined system of component pieces for those who desire to entertain with style.

Utilizing marine grade stainless steel construction materials and the highest quality faux stone façade the Sierra Outdoor line allows you to have attractive cabinetry options that provide both functionality and style.

Standardization of modular components help you create your own configuration to fit perfectly into your backyard entertainment area.

Elegance of design, innovation of materials and streamlined construction methods marry together in Sierra Outdoor Designs. The Sierra Outdoor Designs cabinetry system offers modular hardscape solutions that insure attractive and elegant options for any space.

“Next to excellence is the appreciation of it.”

– William Makepeace Thackeray





OPTIONS

The cabinetry is designed for custom choice finishes on the sides and back of the units. Sierra offers stainless steel or two choices of faux stone: brown or gray stacked stone. The system is made so you can make a change to your look at any time by easily sliding out the existing side or back panel and replacing it with a new panel.



Stainless Steel



Brown Faux Stone



Gray Faux Stone



Stainless Steel Panel



Faux Stone Panel





Diversity in Modularity CABINETS LINE



The Sierra Outdoor Designs line is constructed with standardized units and dimensions for flexibility and variety in use. This modular approach allows for a customized look to fit any hardscape layout.

Cabinetry can be configured to fit almost any space requirements. You can build a layout from a number of select units to make your grilling space a full functioning kitchen.

Choose bars, sinks, grills or base cabinets and make the configuration that fits your style. Each unit is created using 316 marine grade stainless steel giving you a cabinet that can withstand the elements.

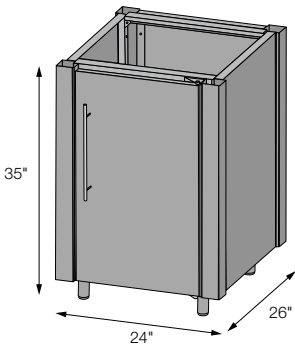
“Excellence is doing ordinary things
extraordinarily well.”

—John W. Gardner

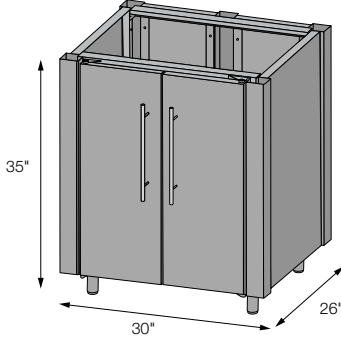
CABINETRY LINE

BASE CABINETS

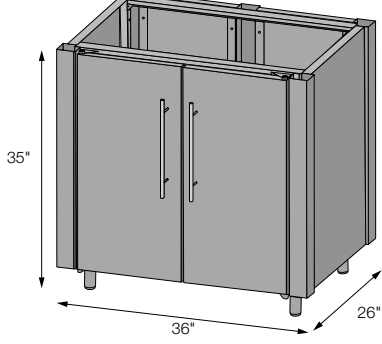
The base cabinet provides ample storage space. Made of stainless steel components, the cabinet is available as a stand alone or may be connected to other available pieces. The doors are stainless steel with a solid feel and attractive handles. For the finished sides, choose from the available faux stone options or an all stainless steel look. The base cabinet is available in 24", 30" and 36" widths. 24" cabinet comes with one door which can be installed with either a left or right opening. 30" and 36" comes with two doors.



24" widths with 1 door



30" width with 2 doors



36" width with 2 doors

30" / 36" BASE CABINET



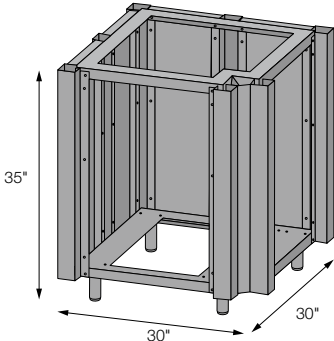
24" BASE CABINET



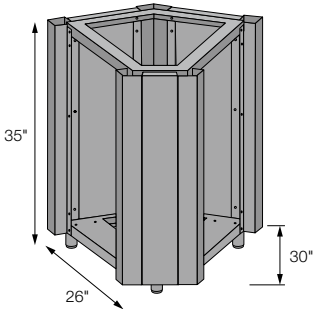
CORNER CABINETS

The corner cabinets provide many ways to make configurations requiring a 90 or 45 degree angle. These units can stand up against a single wall, double wall, or alone. For the finished sides, choose from the available faux stone options or an all stainless steel look. The corner cabinets are available in a 90° or a 45° angle.

90° CORNER CABINET



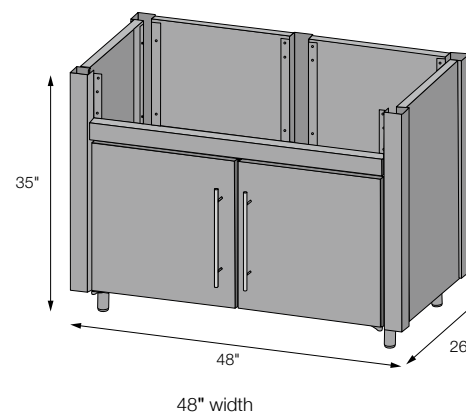
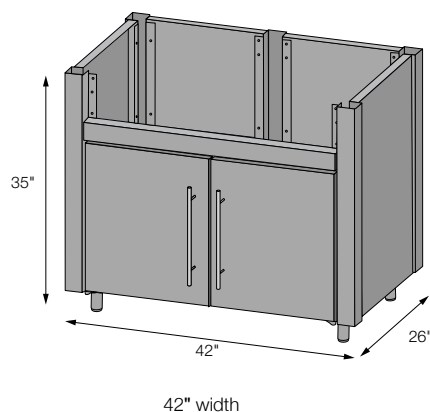
45° CORNER CABINET



GRILL CABINET

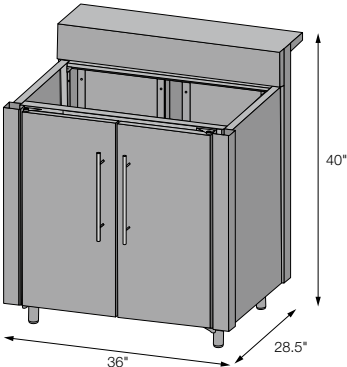
Make grilling a statement of art with our grill cabinet. Built to house either an Allegra or Bull grill, this attractive piece will bring envy to all those you entertain. The doors are stainless steel with a solid feel and attractive handles. For the finished sides, choose from the available faux stone options or an all stainless steel look. The grill cabinet is available in 42" or 48" widths.

NOTE: We have the ability to adapt any grill line into our kitchens as long as the dimensions are provided. Adapter kits for grills are sold at an additional price. Please contact our customer service representatives for more information at 570-385-4733.

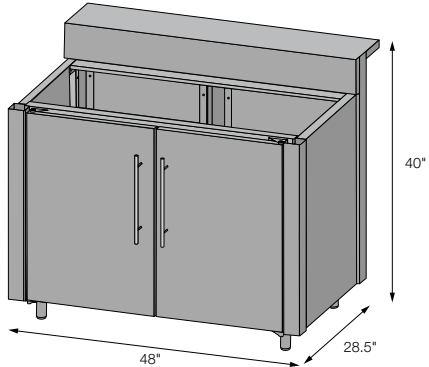


BAR CABINETS

Our bar cabinets have the same features as our base cabinets but with an extended bar at the top. Made of stainless steel components, these cabinets are available as a stand alone or may be connected to other available pieces. The doors are stainless steel with a solid feel and attractive handles. For the finished sides, choose from the available faux stone options or an all stainless steel look. These cabinets are available in a 36" or 48" width.



36" width with 2 doors

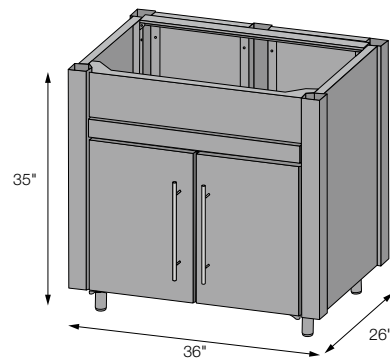


48" width with 2 doors



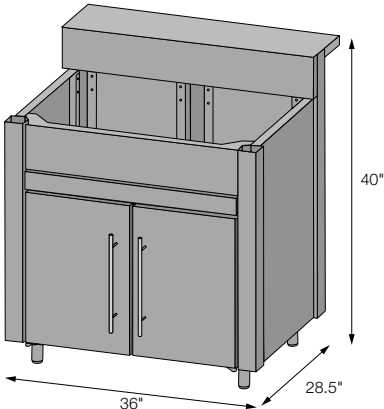
SINK CABINET

No kitchen or bar is complete without a sink. Our sink cabinet is made of stainless steel components and is available as a stand alone or may be connected to other available pieces. The doors are stainless steel with a solid feel and attractive handles. For the finished sides, choose from the available faux stone options or an all stainless steel look. The sink cabinet is available in a 36" width. Will fit most sinks. Please check the specifications before purchasing and/or installing a sink.



SINK BAR CABINET

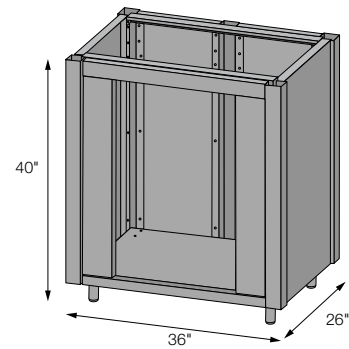
The sink bar cabinet is just like our sink cabinet except it has the extended bar unit. Made of stainless steel components, this is available as a stand alone or may be connected to other available pieces. The doors are stainless steel with a solid feel and attractive handles. For the finished sides, choose from the available faux stone options or an all stainless steel look. The sink bar cabinet is available in a 36" width. Will fit most sinks. Please check the specifications before purchasing and/or installing a sink.



REFRIGERATOR CABINET

Our refrigerator cabinet is made of stainless steel components and is available as a stand alone or may be connected to other available pieces. For the finished sides, choose from the available faux stone options or an all stainless steel look. The refrigerator cabinet is available in a 36" width.

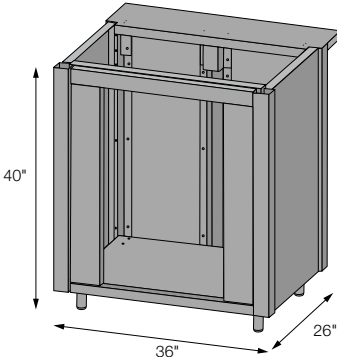
NOTE: We have the ability to adapt other refrigerators into our kitchens as long as the dimensions are provided and the cabinet can accommodate the size. Adapter kits for refrigerators are sold at an additional price. Please contact our customer service representatives for more information at 570-385-4733.



REFRIGERATOR BAR CABINET

Our refrigerator bar cabinet is made of stainless steel components and is available as a stand alone or may be connected to other available pieces. For the finished sides, choose from the available faux stone options or an all stainless steel look. The refrigerator bar cabinet is available in a 36" width.

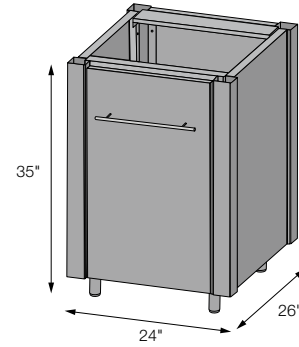
NOTE: We have the ability to adapt other refrigerators into our kitchens as long as the dimensions are provided and the cabinet can accommodate the size. Please contact our customer service representatives for more information at 570-385-4733.



WASTE RECEPTACLE CABINET

No kitchen is complete without a waste receptacle. The cabinet is made of stainless steel components and is available as a stand alone or may be connected to other available pieces. For the finished sides, choose from the available faux stone options or an all stainless steel look. Comes only in the 24" width.

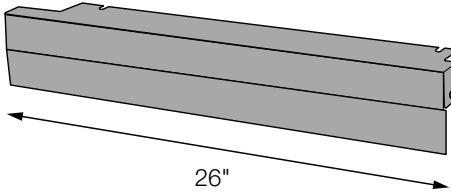
NOTE: Black Trash bins are sold separately.



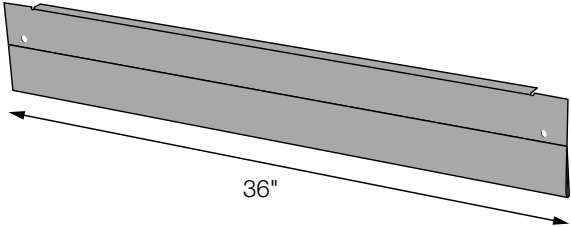
TOE KICK

For that truly built-in look, consider our Toe Kicks. Available for all the cabinets whether they are stand alone or against the wall. Made from 316 marine grade stainless steel, they are an added feature that will enhance the look of your outdoor kitchen.

Toe Kick Side 26"



Toe Kick 36"



Toe Kick front and back



Toe Kick side



Toe Kick on 36" Base Cabinet

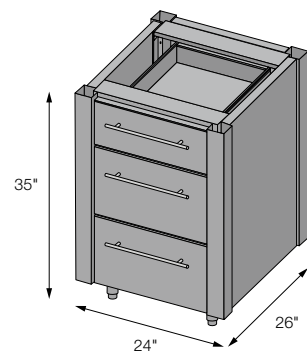


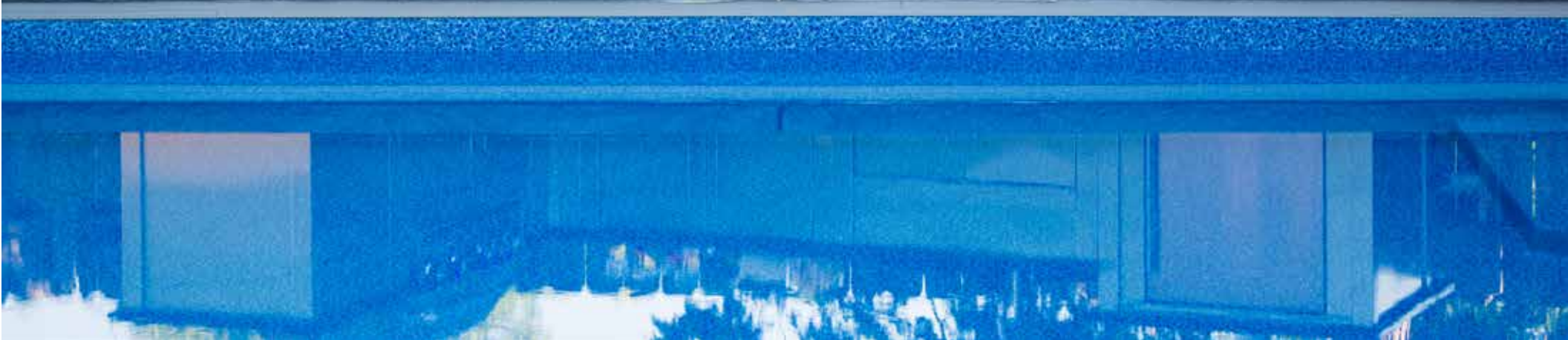
Toe Kick on 36" Base Cabinet

CABINETS LINE

24" DRAWER CABINET

A kitchen needs storage and drawers are the answer. Our drawer cabinet features soft close drawers that smoothly open and close. Each drawer features a channel to direct water out of the way keeping the drawer dry. Comes only in the 24" width.







Possibilities are Endless

PRE-DESIGNED COMBINATIONS

“In character, in manner, in style, in all things, the supreme excellence is simplicity.”

– Henry Wadsworth Longfellow



The Sierra line’s modularity provides endless ways to create the desired entertaining space for your outdoor hardscape. Marry multiple units together to create your custom design.

When planning your outdoor kitchen, take advantage of what is around you. Not only do we have a versatile set of units, but choose a finish that best suits your environment. Does your space require up against the wall or a free standing island? Do you need a bar unit for a conversation area while grilling? Having a poolside kitchen is a great option for entertaining.

Because our units can be configured to your space, you can add your own counter top and/or sink of your choice. Whether it be a granite or concrete counter top, we provide the base for you to enhance and bring your creativity to life.

Let your imagination soar. Create the dream kitchen you deserve.

PRE-DESIGNED COMBINATIONS

THE CATSKILLS

Need an outstanding grill unit for a small space? Our Catskills is the answer. Featuring a 32" Built-in Cast Stainless Steel, 4-burner grill with back burner and rotisserie, this unit is only about 64" wide. Comes with a 42" grill cabinet and 24" side cabinet. The unit comes in all stainless steel or one of the 2 faux stone options described on page 05.

WHAT'S INCLUDED

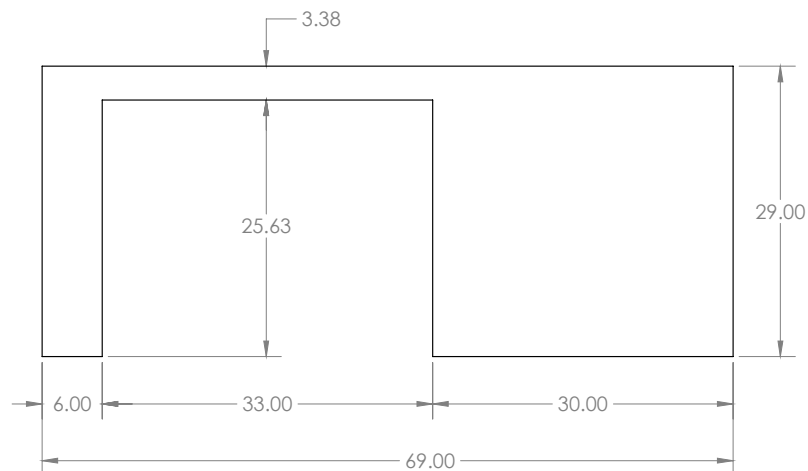
G-42-IS	42" Grill Cabinet, island, side, finished on back & left side
C-24-IS-RH	24" Cabinet, island, side, finished on back & right side, right hand door
GKA3242ASSY-LP or NG	Grill Assembly Kit for 32" Allegra Grill
AL32RC-BI-LP or NG +1	Allegra 32" Built-in Cast Stainless Steel 4-Burner w/ lights, Back Burner & Rotisserie

Please Note: Unit does NOT include a counter top. A counter top template is shown to the right or it can be downloaded from our website: sierraoutdoordesigns.com

NOTE: counter based off 1.5" overhang



THE CATSKILLS COUNTER TOP



THE POCONO

Need a grilling area that gives you not only a grill, but an area to work on? The Pocono unit will fit nicely into any area that will accommodate a 90° angle. The generous area of the corner unit and 36" cabinet allows for a substantial area to work on and looks exquisite at the same time. This cabinet has plenty of room to store items such as your grilling accessories. The unit comes in all stainless steel or one of the 2 faux stone options described on page 05.

WHAT'S INCLUDED

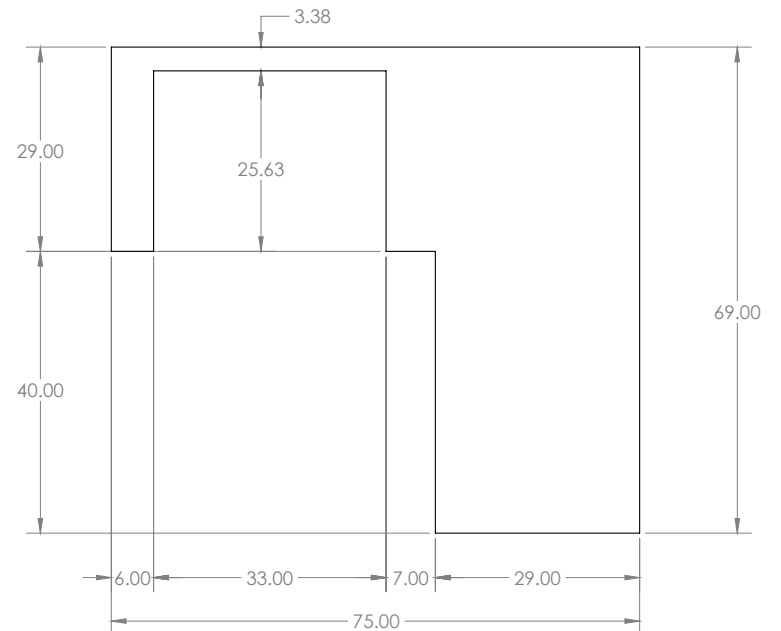
- G-42-IS 42" Grill Cabinet, island, side, finished on back & left side
- CC-30-IC 30" 90° Corner Cabinet, island, center, finished on 2 back sides
- C-36-IS 36" Cabinet, island, side, finished on back & right side
- GKA3242ASSY-LP or NG Grill Assembly Kit for for 32" Allegra Grill
- AL32RC-BI-LP or NG+1 Allegra 32" Built-in Cast Stainless Steel 4-Burner w/ lights, Back Burner & Rotisserie

Please Note: Unit does NOT include a counter top. A counter top template is shown to the right or it can be downloaded from our website: sierraoutdoordesigns.com

NOTE: counter based off 1.5" overhang



**THE POCONO
COUNTER TOP**



PRE-DESIGNED COMBINATIONS

THE APPALACHIAN

Start your outdoor entertaining area with this modest outdoor kitchen set. The Appalachian set comes with a grill unit, refrigerator and cabinets. Add to that a 90° corner unit with a waste receptacle cabinet and 24" storage cabinet. Everything you need to cook comfortably on your hardscape or by the poolside. The unit comes in all stainless steel or one of the 2 faux stone options described on page 05.

WHAT'S INCLUDED

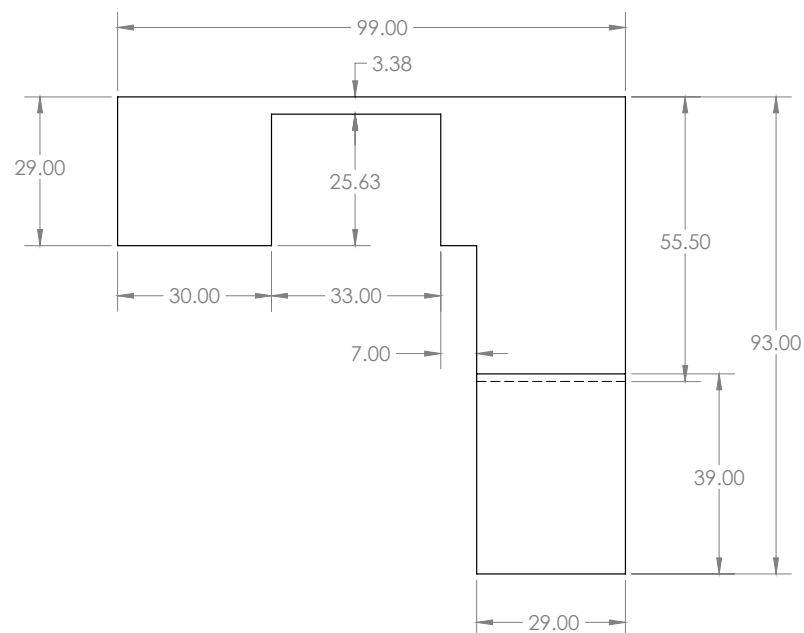
T-24-IS	24" Waste Receptacle Cabinet, island, side, finished on back & left side
G-42-IC	42" Grill Cabinet, island, center, finished on back side
CC-30-IC	30" 90° Corner Cabinet, island, center, finished on 2 back sides
C-24-IC-RH	24" Cabinet, island, center, finished on back side, right hand door
R-36-IS	36" Refrigerator Cabinet, island, side, finished on back & right side
GKA3242ASSY-LP or NG	Grill Assembly Kit for for 32" Allegra Grill
AL32RC-BI-LP or NG+1	Allegra 32" Built-in Cast Stainless Steel 4-Burner w/ lights, Back Burner & Rotisserie
FK2434ASSY	Summit Refrigerator Adapter Kit
L5-0001	Summit Refrigerator
L2-0011	10 Gallon Black Waste Receptacle Bin (Quantity -2)

Please Note: Unit does NOT include a counter top. A counter top template is shown to the right or it can be downloaded from our website: sierraoutdoordesigns.com

NOTE: counter based off 1.5" overhang



**THE APPALACHIAN
COUNTER TOP**



THE ALLEGHENY

Get it straight with an outdoor kitchen unit that brings the necessities from your indoor kitchen to the outdoors. Featuring a grill, refrigerator, sink cabinets and accessories, we added a 36" base cabinet for more storage. The unit comes in all stainless steel or one of the 2 faux stone options described on page 05.

WHAT'S INCLUDED

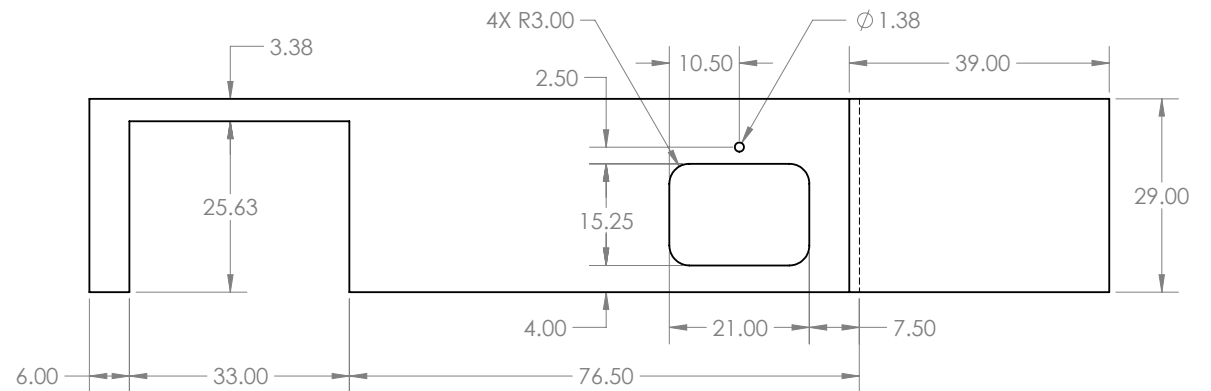
- G-42-IS 42" Grill Cabinet, island, side, finished on back & left side
- C-36-IC 36" Cabinet, island, center, finished on back side
- S-36-IC 36" Sink Cabinet, island, center, finished on back side
- R-36-IS 36" Refrigerator Cabinet, island, side, finished on back & right side
- GKA3242ASSY-LP or NG Grill Assembly Kit for 32" Allegra Grill
- AL32RC-BI-LP or NG+1 Allegra 32" Built-in Cast Stainless Steel 4-Burner w/ lights, Back Burner & Rotisserie
- FK2434ASSY Summit Refrigerator Adapter Kit
- L5-0001 Summit Refrigerator
- L2-0010 McAllister® by Sterling® KO1144718NA Stainless Steel Sink
- L2-0012 Kraus KPF-2160 Classic Kitchen Faucet

Please Note: Unit does NOT include a counter top. A counter top template is shown to the right or it can be downloaded from our website: sierraoutdoordesigns.com

NOTE: counter based off 1.5" overhang



THE ALLEGHENY COUNTER TOP



PRE-DESIGNED COMBINATIONS

THE DENALI

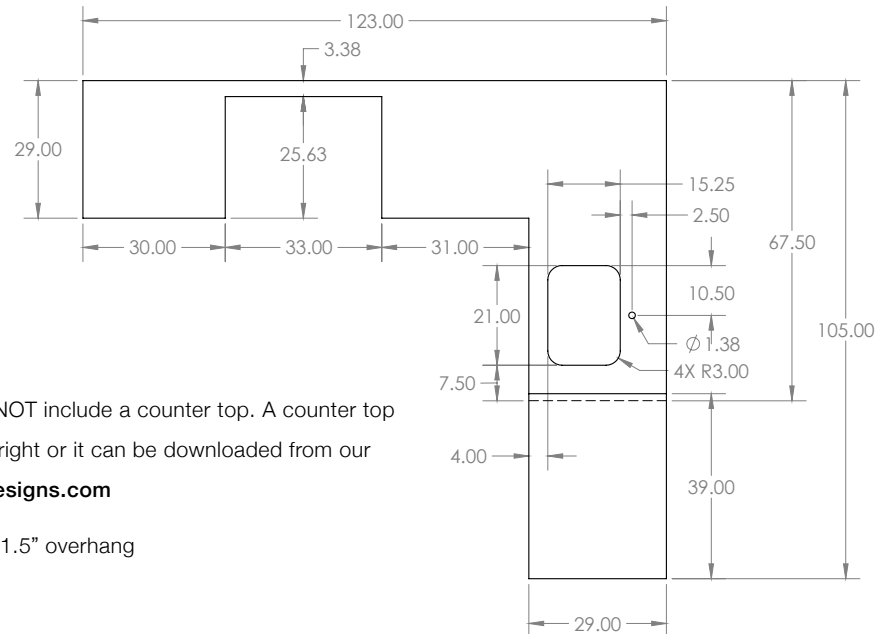
An outdoor kitchen that exceeds your expectations. The Denali gives you features such as a grill, refrigerator, sink and waste receptacle all housed in 316 marine grade stainless steel components. Add to this a 90° corner unit and 24" cabinet for a complete look. The unit comes in all stainless steel or one of the 2 faux stone options described on page 05.

WHAT'S INCLUDED

C-24-IS-LH	24" Cabinet, island, side, finished on back & left side, left hand door
G-42-IC	42" Grill Cabinet, island, center, finished on back side
T-24-IC	24" Waste Receptacle Cabinet, island, center, finished on back side
CC-30-IC	30" 90° Corner Cabinet, island, center, finished on 2 back sides
S-36-IC	36" Sink Cabinet, island, center, finished on back side
R-36-IS	36" Refrigerator Cabinet, island, side, finished on back & right side
GKA3242ASSY-LP or NG	Grill Assembly Kit for for 32" Allegra Grill
AL32RC-BI-LP or NG+1	Allegra 32" Built-in Cast Stainless Steel 4-Burner w/ lights, Back Burner & Rotisserie
FK2434ASSY	Summit Refrigerator Adapter Kit
L5-0001	Summit Refrigerator
L2-0011	10 Gallon Black Waste Receptacle Bin (Quantity -2)
L2-0010	McAllister® by Sterling® KO1144718NA Stainless Steel Sink
L2-0012	Kraus KPF-2160 Classic Kitchen Faucet



THE DENALI COUNTER TOP



Please Note: Unit does NOT include a counter top. A counter top template is shown to the right or it can be downloaded from our website: sierraoutdoordesigns.com

NOTE: counter based off 1.5" overhang

THE BLUE RIDGE

The crowning jewel of our combinations line, the Blue Ridge is your ultimate entertaining outdoor kitchen featuring both a sink and refrigerator bar cabinets, waste receptacle, grill cabinet, 90° corner cabinet and 36" base cabinet. The unit comes in all stainless steel or one of the 2 faux stone options described on page 05.

WHAT'S INCLUDED

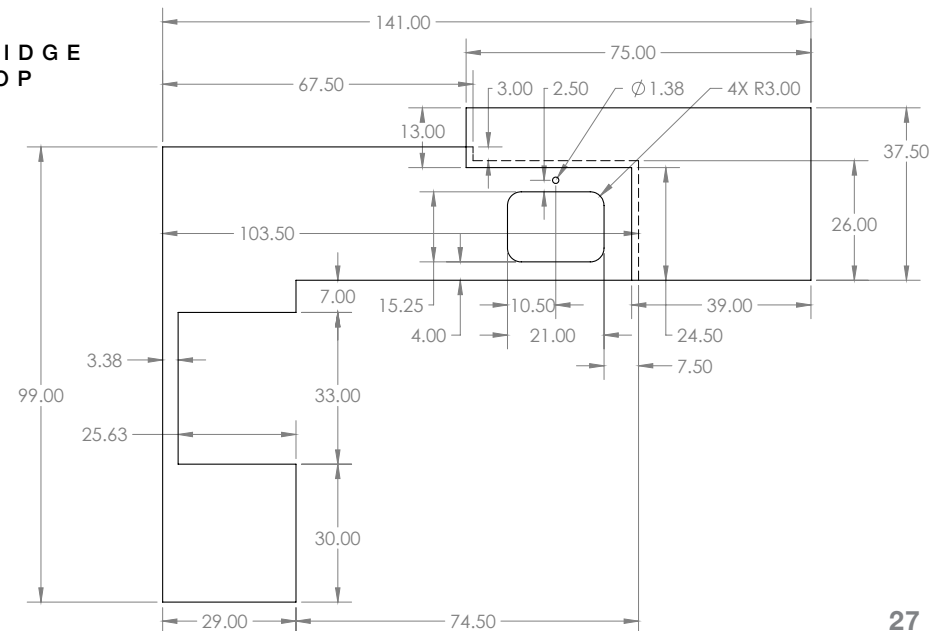
- T-24-IS 24" Waste Receptacle Cabinet, island, side, finished on back & left side
- G-42-IC 42" Grill Cabinet, island, center, finished on back side
- CC-30-IC 30" 90° Corner Cabinet, island, center, finished on 2 back sides
- C-36-IC 36" Cabinet, island, center, finished on back side
- SB-36-IC 36" Sink Bar Cabinet, island, center, finished on back side
- RB-36-IS 36" Refrigerator Bar Cabinet, island, side, finished on back & right side
- GKA3242ASSY-LP or NG Grill Assembly Kit for 32" Allegra Grill
- AL32RC-BI-LP or NG+1 Allegra 32" Built-in Cast Stainless Steel 4-Burner w/ lights, Back Burner & Rotisserie
- FK2434ASSY Summit Refrigerator Adapter Kit
- L5-0001 Summit Refrigerator
- L2-0011 10 Gallon Black Waste Receptacle Bin (Quantity -2)
- L2-0010 McAllister® by Sterling® KO1144718NA Stainless Steel Sink
- L2-0012 Kraus KPF-2160 Classic Kitchen Faucet

Please Note: Unit does NOT include a counter top. A counter top template is shown to the right or it can be downloaded from our website: sierraoutdoordesigns.com

NOTE: counter based off 1.5" overhang



THE BLUE RIDGE COUNTER TOP



APPLIANCES

THE 32" ALLEGRA BUILT-IN GRILL

- 4 Main burners at 15,000 btu each (60,000 btus)
- 700 square inches of total cooking area (510 main grilling area)
- All stainless steel construction
- Stainless steel burners
- 304 Stainless steel cooking grills
- Warming rack
- Temperature gauge
- Flame throw ignition system
- Double inside lights
- Pull out grease tray
- Stainless steel flame tamers
- Available in LP or NG
- Cutout dimensions: 30 1/2"w x 21"d x 9"h
- Infrared back burner
- Fits in 42" and 48" Grill Cabinet

AL32RC-BI-LP or NG+1

NOTE: We also offer a stainless steel tube burner model. Please contact Customer Service for more information at **570-385-4733**.



THE 38" ALLEGRA BUILT-IN GRILL

- 5 Main burners at 15,000 btu each (75,000 btus)
- 890 Square inches of total cooking area (645 main grilling area)
- All stainless steel construction
- Stainless steel burners
- 304 Stainless steel cooking grills
- Warming rack
- Temperature gauge
- Flame throw ignition system
- Double inside lights
- Pull out grease tray
- Stainless steel flame tamers
- Available in LP or NG
- Infrared back burner
- Cutout dimensions: 38 3/4"w x 21"d x 9"h
- Fits in 48" Grill Cabinet

AL38RC-BI-LP or NG+1

NOTE: We also offer a stainless steel tube burner model. Please contact Customer Service for more information at **570-385-4733**.



SUMMIT OUTDOOR REFRIGERATOR - SPR6270S

- 34.0" H x 23.63" W x 23.5" D
- ENERGY STAR certified commercial refrigerator
- Designed and constructed for use in the outdoors
- Flexible design allows built-in or freestanding use in 24" wide spaces
- Stainless steel door offers a professional look
- Recessed LED lighting offers attractive presentation of stored products
- Factory installed lock provides security you can count on
- Easy temperature management with a digital thermostat
- Commercially listed to NSF-7 standards

L5-0001



KRAUS KPF=2160 CLASSIC KITCHEN FAUCET

- 100% Stainless steel faucet body and handle constructed of solid brass
- High-quality, corrosion and rust resistant finish - finish covered under lifetime warranty
- Spout swivels 180 degrees to allow for unobstructed sink access
- High-arch goose neck spout further allows for unobstructed sink access

L2-0012



MCALLISTER® BY STERLING STAINLESS STEEL SINK

- Classic stainless steel single rectangle under mount sink
- SilentShield® sound-absorption technology helps maintain water temperature, reduces condensation, and decreases noise
- Overall dimensions 24" L x 18" W x 8" D

L2-0010



STERLING
A KOHLER COMPANY



PRODUCT LINE

Item #	Finish*	Description
CABINETS		
24" Base Cabinet		
C-24-ISA**	-01, -02, -03	24" Cabinet, Island, Stand Alone, finished on 3 sides
C-24-IS**	-01, -02, -03	24" Cabinet, Island, Side, finished on back & right or left side
C-24-AWSA**	-01, -02, -03	24" Cabinet, Against the Wall, Stand Alone, finished on left & right sides
C-24-AWS**	-01, -02, -03	24" Cabinet, Against the Wall, Side, finished on right or left side
C-24-IC**	-01, -02, -03	24" Cabinet, Island, Center, finished on back side
C-24-AWC**		24" Cabinet, Against the Wall, Center, unfinished on 3 sides
** 24" Cabinets- must distinguish left or right hand door.		
30" Base Cabinet		
C-30-ISA	-01, -02, -03	30" Cabinet, Island, Stand Alone, finished on 3 sides
C-30-IS	-01, -02, -03	30" Cabinet, Island, Side, finished on back & right or left side
C-30-AWSA	-01, -02, -03	30" Cabinet, Against the Wall, Stand Alone, finished on left & right sides
C-30-AWS	-01, -02, -03	30" Cabinet, Against the Wall, Side, finished on right or left side
C-30-IC	-01, -02, -03	30" Cabinet, Island, Center, finished on back side
C-30-AWC		30" Cabinet, Against the Wall, Center, unfinished on 3 sides
36" Base Cabinet		
C-36-ISA	-01, -02, -03	36" Cabinet, Island, Stand Alone, finished on 3 sides
C-36-IS	-01, -02, -03	36" Cabinet, Island, Side, finished on back & right or left side
C-36-AWSA	-01, -02, -03	36" Cabinet, Against the Wall, Stand Alone, finished on left & right sides
C-36-AWS	-01, -02, -03	36" Cabinet, Against the Wall, Side, finished on right or left side
C-36-IC	-01, -02, -03	36" Cabinet, Island, Center, finished on back side
C-36-AWC		36" Cabinet, Against the Wall, Center, unfinished on 3 sides
30" Corner Cabinet		
CC-30-IC	-01, -02, -03	30" 90° Corner Cabinet, Island, Center, finished on 2 back sides
CC-30-AWC1	-01, -02, -03	30" 90° Corner Cabinet, Island, Against one wall, Center, finished on 1 back side
CC-30-AWC2		30" 90° Corner Cabinet, Against two walls, Center, unfinished on 2 back sides
45° Corner Cabinet		
CC-45-IC	-01, -02, -03	30" 45° Corner Cabinet, Island, Center, finished on 2 back sides
CC-45-AWC1	-01, -02, -03	30" 45° Corner Cabinet, Island, Against one wall, Center, finished on 1 back side
CC-45-AWC2		30" 45° Corner Cabinet, Against two walls, Center, unfinished on back sides 2

Item #	Finish*	Description
42" Grill Cabinet		
G-42-ISA	-01, -02, -03	42" Grill Cabinet, Island, Stand Alone, finished on 3 sides
G-42-IS	-01, -02, -03	42" Grill Cabinet, Island, Side, finished on back & right or left side
G-42-IC	-01, -02, -03	42" Grill Cabinet, Island, Center, finished on back side
GKA3242ASSY-LP or NG		42" Grill Cabinet adapter for 32" Allegra Grill w/ LP or NG Adapter
48" Grill Cabinet		
G-48-ISA	-01, -02, -03	48" Grill Cabinet, Island, Stand alone, finished on 3 sides
G-48-IS	-01, -02, -03	48" Grill Cabinet, Island, Side, finished on back & right or left side
G-48-IC	-01, -02, -03	48" Grill Cabinet, Island, Center, finished on back side
GKA3248ASSY-LP or NG		48" Grill Cabinet adapter for 32" Allegra Grill w/ LP or NG Adapter
GKA3848ASSY-LP or NG		48" Grill Cabinet adapter for 38" Allegra Grill w/ LP or NG Adapter
36" Bar Cabinet		
B-36-ISA	-01, -02, -03	36" Bar Cabinet, Island, Stand Alone, finished on 3 sides
B-36-IS	-01, -02, -03	36" Bar Cabinet, Island, Side, finished on back & right or left side
B-36-IC	-01, -02, -03	36" Bar Cabinet, Island, Center, finished on back side
48" Bar Cabinet		
B-48-ISA	-01, -02, -03	48" Bar Cabinet, Island, Stand Alone, finished on 3 sides
B-48-IS	-01, -02, -03	48" Bar Cabinet, Island, Side, finished on back & right or left side
B-48-IC	-01, -02, -03	48" Bar Cabinet, Island, Center, finished on back side
36" Sink Cabinet		
S-36-ISA	-01, -02, -03	36" Sink Cabinet, Island, Stand Alone, finished on 3 sides
S-36-IS	-01, -02, -03	36" Sink Cabinet, Island, Side, finished on back & right or left side
S-36-AWSA	-01, -02, -03	36" Sink Cabinet, Against the Wall, Stand Alone, finished on left & right sides
S-36-AWS	-01, -02, -03	36" Sink Cabinet, Against the Wall, Side, finished on right or left side
S-36-IC	-01, -02, -03	36" Sink Cabinet, Island, Center, finished on back side
S-36-AWC		36" Sink Cabinet, Against the Wall, Center, unfinished on 3 sides
36" Sink Bar Cabinet		
SB-36-ISA	-01, -02, -03	36" Sink Bar Cabinet, Island, Stand Alone, finished on 3 sides
SB-36-IS	-01, -02, -03	36" Sink Bar Cabinet, Island, Side, finished on back & right or left side
SB-36-IC	-01, -02, -03	36" Sink Bar Cabinet, Island, Center, finished on back side

* The finishes are:: **01** - Stainless Steel, **02** - Brown Faux Stone, **03** - Gray Faux Stone

Example: **C-24-ISA-02** is a 24" Cabinet, Island, Stand Alone, finished on 3 sides in Brown Faux Stone

Item #	Finish*	Description
36" Refrigerator Cabinet		
R-36-ISA	-01, -02, -03	36" Refrigerator Cabinet, Island, Stand Alone, finished on 3 sides
R-36-IS	-01, -02, -03	36" Refrigerator Cabinet, Island, Side, finished on back & right or left side
R-36-AWSA	-01, -02, -03	36" Refrigerator Cabinet, Against the Wall, Stand Alone, finished on left & right sides
R-36-AWS	-01, -02, -03	36" Refrigerator Cabinet, Against the Wall, Side, finished on right or left side
R-36-IC	-01, -02, -03	36" Refrigerator Cabinet, Island, Center, finished on back side
R-36-AWC		36" Refrigerator Cabinet, Against the Wall, Center, unfinished on 3 sides
FK2434ASSY		Fridge Adapter Kit
36" Refrigerator Bar Cabinet		
RB-36-ISA	-01, -02, -03	36" Refrigerator Bar Cabinet, Island, Stand Alone, finished on 3 sides
RB-36-IS	-01, -02, -03	36" Refrigerator Bar Cabinet, Island, Side, finished on back & right or left side
RB-36-IC	-01, -02, -03	36" Refrigerator Bar Cabinet, Island, Center, finished on back side
24" Waste Receptacle Cabinet		
T-24-ISA	-01, -02, -03	24" Waste Receptacle Cabinet, Island, Stand Alone, finished on 3 sides
T-24-IS	-01, -02, -03	24" Waste Receptacle Cabinet, Island, Side, finished on back & right or left side
T-24-AWSA	-01, -02, -03	24" Waste Receptacle Cabinet, Against the Wall, Stand Alone, finished on left & right sides
T-24-AWS	-01, -02, -03	24" Waste Receptacle Cabinet, Against the Wall, Side, finished on right or left side
T-24-IC	-01, -02, -03	24" Waste Receptacle Cabinet, Island, Center, finished on back side
T-24-AWC		24" Waste Receptacle Cabinet, Against the Wall, Center, unfinished on 3 sides
24" Drawer Cabinet		
DC-24-ISA	-01, -02, -03	24" Drawer Cabinet, Island, Stand Alone, finished on 3 sides
DC-24-IS	-01, -02, -03	24" Drawer Cabinet, Island, Side, finished on back & right or left side
DC-24-AWSA	-01, -02, -03	24" Drawer Cabinet, Against the Wall, Stand Alone, finished on left & right sides
DC-24-AWS	-01, -02, -03	24" Drawer Cabinet, Against the Wall, Side, finished on right or left side
DC-24-IC	-01, -02, -03	24" Drawer Cabinet, Island, Center, finished on back side
DC-24-AWC		24" Drawer Cabinet, Against the Wall, Center, unfinished on 3 sides

* The finishes are: **01** - Stainless Steel, **02** - Brown Faux Stone, **03** - Gray Faux Stone
 Example: **C-24-ISA-02** is a 24" Cabinet, Island, Stand Alone, finished on 3 sides in Brown Faux Stone



PRODUCT LINE

Item #	Description
PRE-DESIGNED COMBINATIONS *	
Catskills	
G-42-IS	42" Grill Cabinet, Island, Side
C-24-IS-RH	24" Cabinet, Island, Side, Right Hand Door
GKA3242ASSY-LP or NG	42" Grill Adapter Kit for Allegra Grill
AL32RC-BI- LP or NG +1	Allegra 32" Built-in Cast Stainless Steel 4-Burner w/ lights, Back Burner & Rotisserie
Pocono	
G-42-IS	42" Grill Cabinet, Island, Side
CC-30-IC	30" 90° Corner Cabinet, Island, Center
C-36-IS	36" Cabinet, Island, Side
GKA3242ASSY-LP or NG	42" Grill Adapter Kit for Allegra Grill
AL32RC-BI- LP or NG +1	Allegra 32" Built-in Cast Stainless Steel 4-Burner w/ lights, Back Burner & Rotisserie
Appalachian	
T-24-IS	24" Waste Receptacle Cabinet, Island, Side
G-42-IC	42" Grill Cabinet, Island, Center
CC-30-IC	30" 90° Corner Cabinet, Island, Center
C-24-IC-RH	24" Cabinet, Island, Center, Right Hand Door
R-36-IS	36" Refrigerator Cabinet, Island, Side
GKA3242ASSY-LP or NG	42" Grill Adapter Kit for Allegra Grill
AL32RC-BI-LP+1 or NG +1	Allegra 32" Built-in Cast Stainless Steel 4-Burner w/ lights, Back Burner & Rotisserie
FK2434ASSY	Summit Refrigerator Adapter Kit
L5-0001	Summit Refrigerator SPR6270S
L2-0011	10 Gallon Black Waste Receptacle Bin (quantity 2)
Allegheny	
G-42-IS	42" Grill Cabinet, Island, Side
C-36-IC	36" Cabinet, Island, Center
S-36-IC	36" Sink Cabinet, Island, Center
R-36-IS	36" Refrigerator Cabinet, Island, Side
GKA3242ASSY-LP or NG	42" Grill Adapter Kit for Allegra Grill
AL32RC-BI- LP or NG +1	Allegra 32" Built-in Cast Stainless Steel 4-Burner w/ lights, Back Burner & Rotisserie
FK2434ASSY	Summit Refrigerator Adapter Kit
L5-0001	Summit Refrigerator SPR6270S
L2-0010	24" L x 18" W x 8" D 18 Ga. Stainless Steel Sink McAllister by Sterling®
L2-0012	Kraus KPF-2160 Classic Kitchen Faucet
Denali	
C-24-IS-LH	24" Cabinet, Island, Side, Left Hand Door
G-42-IC	42" Grill Cabinet, Island, Center
T-24-IC	24" Waste Receptacle Cabinet, Island, Center
CC-30-IC	30" 90° Corner Cabinet, Island, Center
S-36-IC	36" Sink Cabinet, Island, Center
R-36-IS	36" Refrigerator Cabinet, Island, Side
GKA3242ASSY-LP or NG	42" Grill Adapter Kit for Allegra Grill
AL32RC-BI- LP or NG +1	Allegra 32" Built-in Cast Stainless Steel 4-Burner w/ lights, Back Burner & Rotisserie

Item #	Description
FK2434ASSY	Summit Refrigerator Adapter Kit
L5-0001	Summit Refrigerator SPR6270S
L2-0011	10 Gallon Black Waste Receptacle Bin (quantity 2)
L2-0010	24" L x 18" W x 8" D 18 Ga. Stainless Steel Sink McAllister by Sterling®
L2-0012	Kraus KPF-2160 Classic Kitchen Faucet
Blue Ridge	
T-24-IS	24" Waste Receptacle Cabinet, Island, Side
G-42-IC	42" Grill Cabinet, Island, Center
CC-30-IC	30" 90° Corner Cabinet, Island, Center
C-36-IC	36" Cabinet, Island, Center
SB-36-IC	36" Sink Bar Cabinet, Island, Center
RB-36-IS	36" Refrigerator Bar Cabinet, Island, Side
GKA3242ASSY-LP or NG	42" Grill Adapter Kit for Allegra Grill
AL32RC-BI- LP or NG +1	Allegra 32" Built-in Cast Stainless Steel 4-Burner w/ lights, Back Burner & Rotisserie
FK2434ASSY	Summit Refrigerator Adapter Kit
L5-0001	Summit Refrigerator SPR6270S
L2-0011	10 Gallon Black Waste Receptacle Bin (quantity 2)
L2-0010	24" L x 18" W x 8" D 18 Ga. Stainless Steel Sink McAllister by Sterling®
L2-0012	Kraus KPF-2160 Classic Kitchen Faucet
ACCESSORIES	
Stainless Steel Tube Burner Models	
AL32R-BI-T-LP or NG+1	Allegra 32" Built-in 4-Stainless Steel Conventional Burner w/ lights, Back Burner & Rotisserie
AL38R-BI-T-LP or NG+1	Allegra 38" Built-in 5-Stainless Steel Conventional Burner w/ lights, Back Burner & Rotisserie
Cast Stainless Steel Burner Models	
AL32RC-BI-LP or NG+1	Allegra 32" Built-in Cast Stainless Steel 4-Burner w/ lights, Back Burner & Rotisserie
AL38RC-BI-LP or NG+1	Allegra 38" Built-in Cast Stainless Steel 4-Burner w/ lights, Back Burner & Rotisserie
Other	
CONV-K-AL32RCNG	Kit to convert LP unit over to a NG unit
CONV-K-AL32RCLP	Kit to convert NG unit over to an LP unit
L2-0011	Waste Receptacle Bin (Qty 2)
L5-0001	Summit Refrigerator SPR6270S
L2-0012	Kraus KPF-2160 Classic Faucet®
L2-0010	24" L x 18" W x 8" D 18 Ga. Stainless Steel Sink McAllister by Sterling®

*NOTE: All combinations are available in either stainless steel sides (-01), brown faux stone sides (-02) or gray faux stones sides (-03).





Cardinal Systems Inc. is one of the world's largest and most technologically advanced manufacturer of galvanized steel walls for in-ground swimming pools. In addition to steel walls we manufacture steel steps and benches, aluminum coping, liner track, deck drains, liner bead and other backyard living components.

Our facilities occupy over 300,000 square feet located in Pennsylvania. We have been in business for 40 years continually growing and expanding.

Our success is based on a simple, founding principle: provide superior products and outstanding service. From its inception, Cardinal has had a strong commitment to precision fabrication, coupled with an aggressive pursuit to engage the latest technology. Through three generations of family ownership and operation, we continually reinvest in our business to stay on the forefront in quality, service, design, and innovation.



250 Route 61 South
 Schuylkill Haven, PA 17972
 cardinalsystemsinc.com
 570.385.4733 • info@cardinalsystemsinc.com

OUR BRANDS

The Cardinal Systems, Inc. brands consist of:

Cardinal, our steel (pool walls, steps and benches), polymer (pool walls and custom structural foam molding), and aluminum (liner track and coping).

Quaker Plastics, our extrusion and thermoforming products such as deck drains, thermoformed steps and liner bead.

Z Poolform system is a unique, reusable system that provides an attractive cantilever concrete deck. The forms come in several edge options.

Sierra Outdoor Designs is our newest product offering high end modular cabinetry for outdoor entertainment.

All Cardinal Systems, Inc. products are made in America.



For more information on Sierra Outdoor Designs products, visit our website at SierraOutdoorDesigns.com or email us at: sierra@cardinalsystemsinc.com





“Design

is not just what it looks like and feels like.
Design is how it works.”

– Steve Jobs

sierraoutdoordesigns.com



